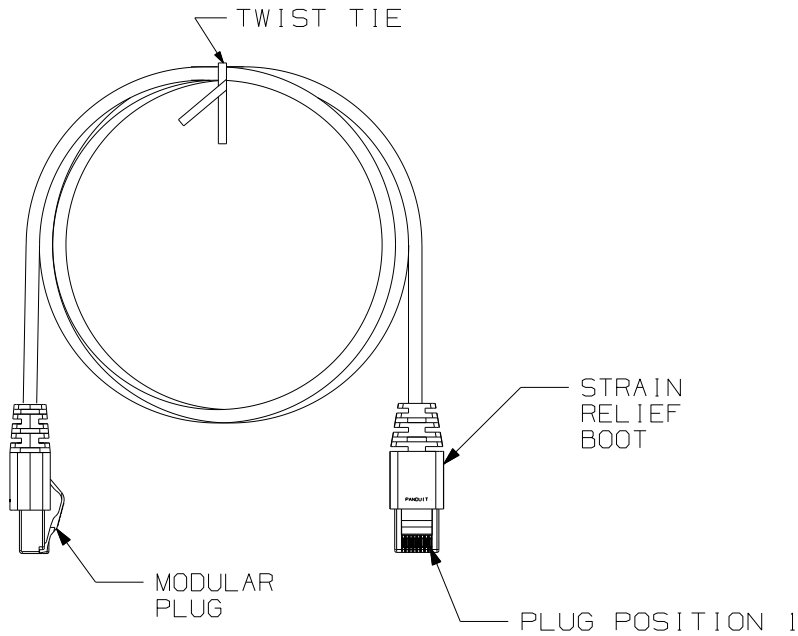


THIS COPY IS PROVIDED ON A RESTRICTED BASIS AND IS NOT TO BE USED IN ANY WAY DETRIMENTAL TO THE INTERESTS OF PANDUIT CORP.



NOTES:

- **1. SEE CURRENT NETKEY™ CATALOG FOR VARIOUS APPLICATIONS AND TO INDICATE COLOR AND OR PACKAGE QUANTITY.
- 2. SEE CATALOG FOR A COMPLETE LIST OF PARTS APPLICABLE FOR USE WITH THIS PART.
- 3. TERMINATED WITH (8 POSITION) MODULAR PLUGS ON BOTH ENDS PER T568B.
- 4. CONSTRUCTED WITH 4-PR/24AWG STRANDED UTP CAT6 PATCH CABLE
- 5. MATERIAL:
 PLUG: POLYCARBONATE
 BOOT: THERMOPLASTIC RESIN
- 6. DIMENSIONS IN PARENTHESES ARE METRIC.

T568B WIRING SCHEME

| PLUG POSITION: | CABLE WIRE: |
|----------------|--------------|
| 1 | WHITE/ORANGE |
| 2 | ORANGE |
| 3 | WHITE/GREEN |
| 4 | BLUE |
| 5 | WHITE/BLUE |
| 6 | GREEN |
| 7 | WHITE/BROWN |
| 8 | BROWN |

| CABLE COLORS | ** = COLOR |
|--------------|------------|
| WHITE | -- |
| BLACK | BL |
| BLUE | BU |
| RED | RD |
| YELLOW | YL |
| GREEN | GR |
| ORANGE | OR |
| VIOLET | VL |

| PANDUIT PART NUMBER | MIN. CABLE LENGTH |
|---------------------|-------------------|
| NK6PC3**Y | 3 FT. |
| NK6PC5**Y | 5 FT. |
| NK6PC7**Y | 7 FT. |
| NK6PC10**Y | 10 FT. |
| NK6PC14**Y | 14 FT. |
| NK6PC20**Y | 20 FT. |
| NK6PC1M**Y | 1 m |
| NK6PC2M**Y | 2 m |
| NK6PC4M**Y | 4 m |
| NK6PC5M**Y | 5 m |

| | | |
|--|------------------------|-------------|
| MODEL FILENAME | | SIZE |
| DRAWING FILENAME | | A |
| MO1302CO_DC41_00A.PRT | | |
| TITLE | | |
| NETKEY CATEGORY 6 UTP PATCH CORD CUSTOMER DRAWING | | |
| <p>PANDUIT[®] CORP. TINLEY PARK, IL 60477</p> | I.T. NUMBER | |
| | PRODUCT SPEC | |
| <p>THIRD ANGLE PROJECTION</p> | WORK INSTRUCTION | |
| | SCALE | NONE |
| DRAWN BY | REVIEW DRAWING NUMBERS | PART NO. |
| BJN | | NK6PCXX**Y |
| DATE | | DRAWING NO. |
| 5-07-07 | | 01302-41 |
| CHK'D | | |
| EJH | | |

| REV | DATE | BY | CHK | DESCRIPTION | ECN | R | CUST | SUP | OTH |
|-----|---------|-----|-----|------------------------|----------|-----|------|-----|-----|
| R | 5-07-07 | BJN | EJH | RELEASED TO PRODUCTION | 01302-41 | EJH | REGA | | |